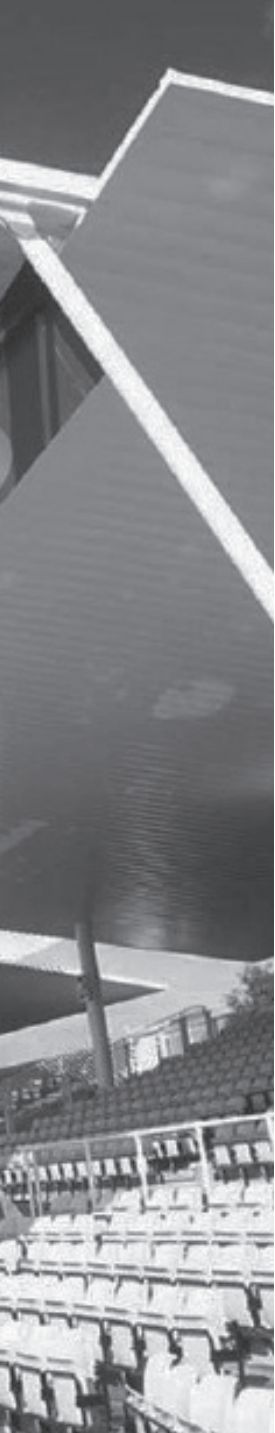


# riblok

secret fix canopy underlining system



teknorooftm

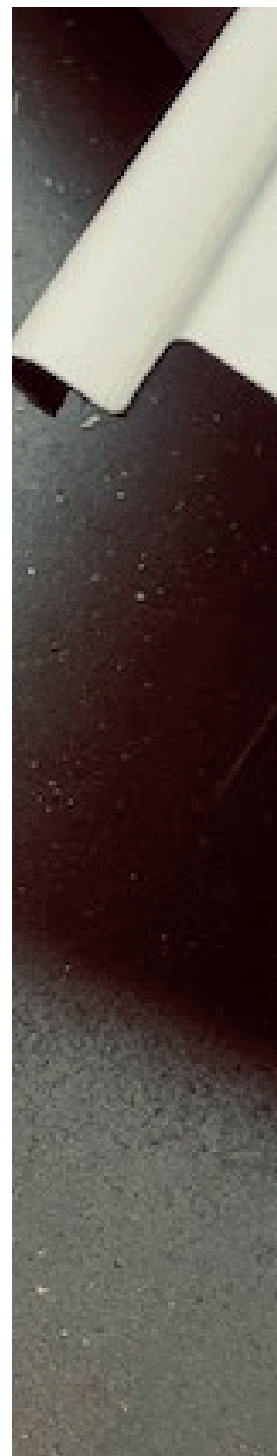


the riblok range is a secret fix canopy underlining system that is popular for use with forecourt canopies as well as stadia.

produced using high quality coated 0.9mm aluminium, it provides a durable and low maintenance soffit lining. panels are snap fixed into place using a concealed carrier system that is fixed to the substrate. work can commence from either edge of the cladding area, working across until complete.

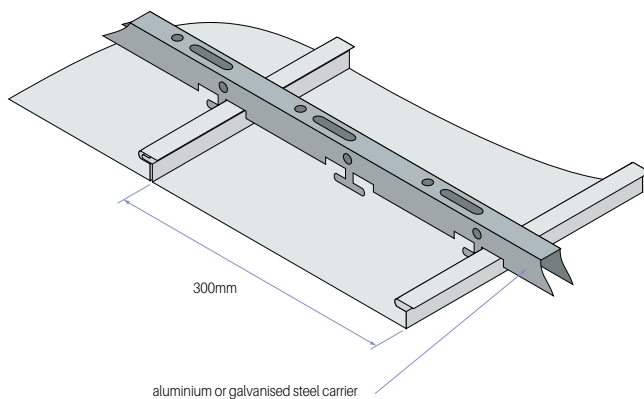
with a slight convex face, it provides aesthetically pleasing and clean lines that have proved so successful the product application has been extended to cover internal soffit applications, fascia's and external wall design.

available in widths of 150, 200 and 300mm and in a variety of colours and finishes (subject to project size), riblok provides a cost-effective solution for both newbuild and refurbishment projects.



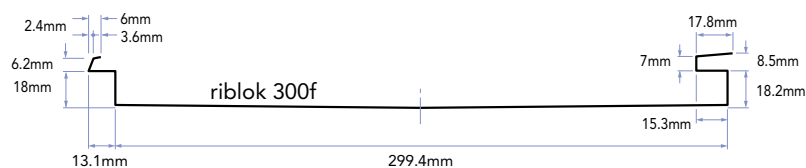
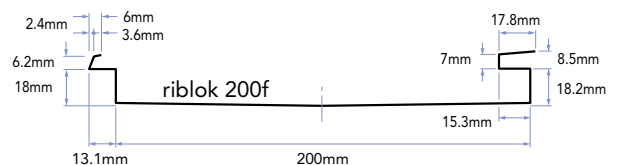
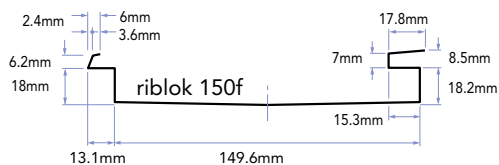
## riblok fixing

the riblok panels are fixed in place by using a concealed carrier system that is fixed to the substrate. the riblok panels are simply snapped into place together with mineral fibre insulation in the void behind the exterior façade depending on thermal requirements. work can commence from either edge of the cladding area, working across in the same direction until complete.



	material	nominal gauge (mm)	typical weight (kg/lm)	effective cover width (mm)	sheet length (m)
riblok 150	aluminium	0.7	0.56	150	1 to 15*
riblok 200	aluminium	0.9	0.72	200	1 to 15*
riblok 300	aluminium	0.9	0.97	300	1 to 15*

\*shorter/longer lengths available but may be subject to additional cost. please contact teknoroof for further details.



teknorooftm



info@teknorooft.com  
01604 386699

teknorooft.com

the shed  
rathvilly farm  
barn lane  
milton malsor  
northamptonshire  
nn7 3ag

teknorooft reserves the right to make substitutions and modifications to the specifications of any of its products without prior notice. it is the customer's responsibility to ensure that the company's products are correctly installed and that they are suitable for the customer's particular requirements and application.

the company undertakes business only upon its standard terms and conditions.

all information is correct as of the date of this document, created august 2020.